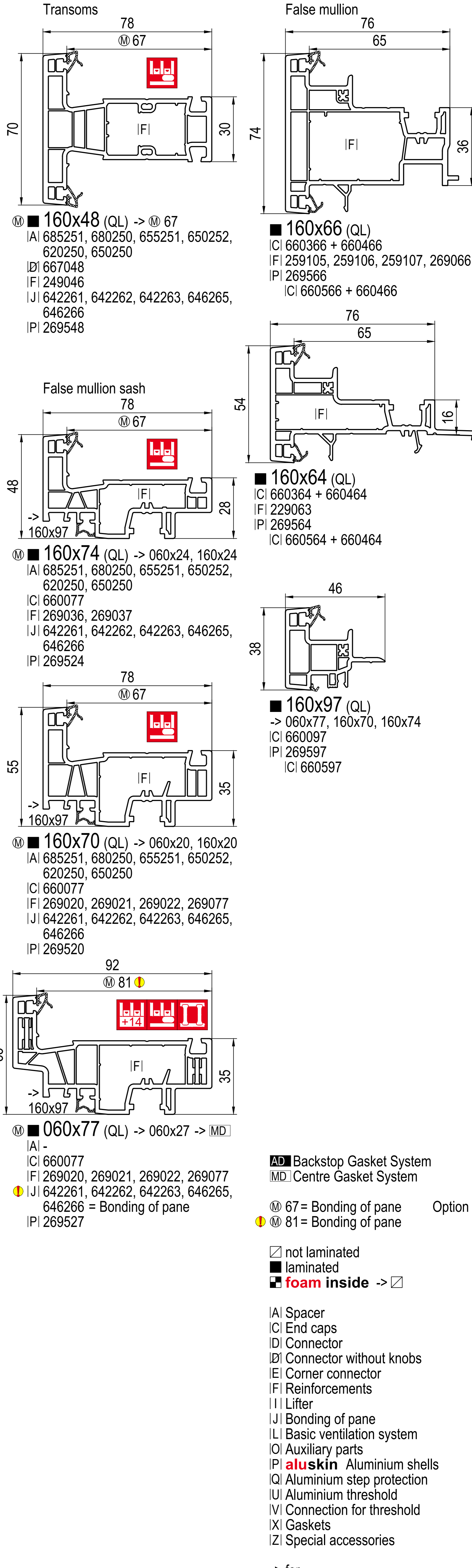
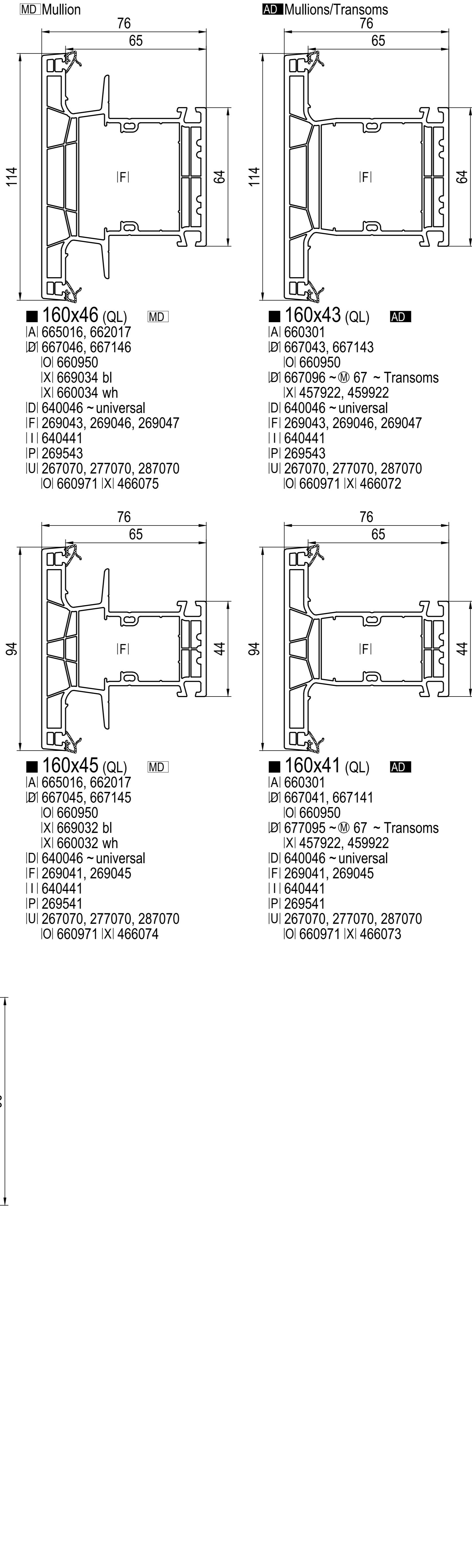
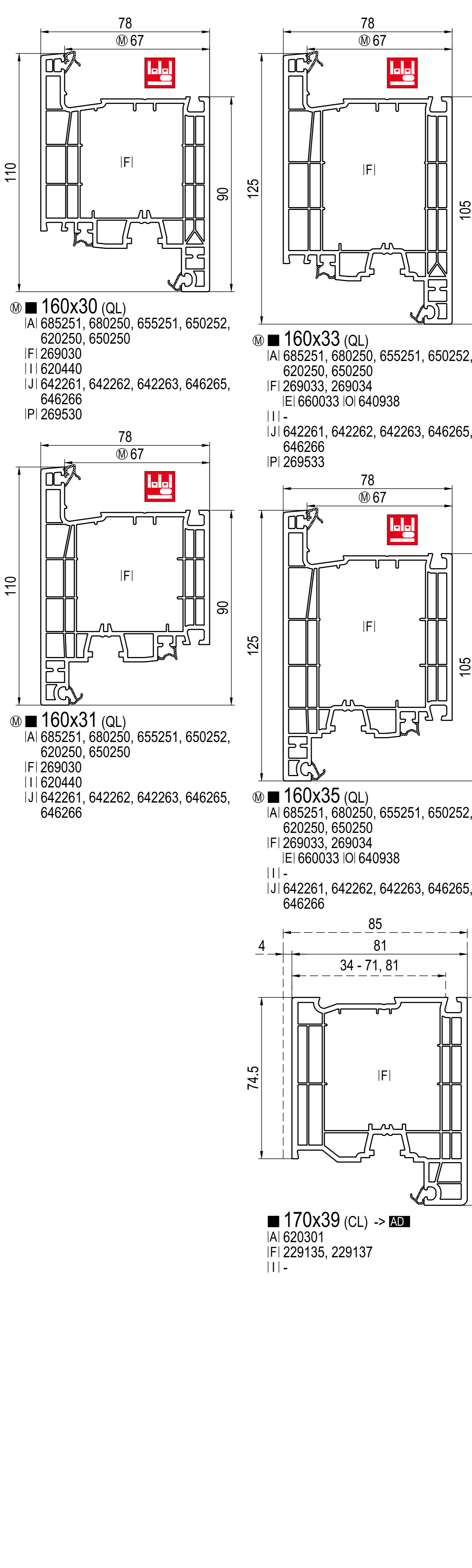
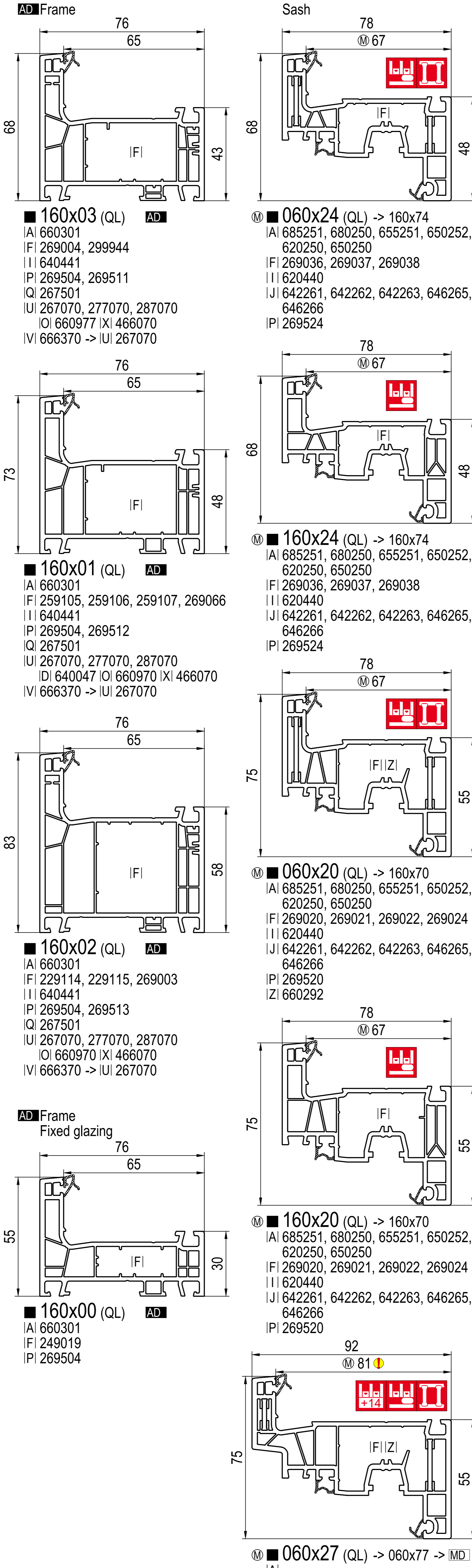
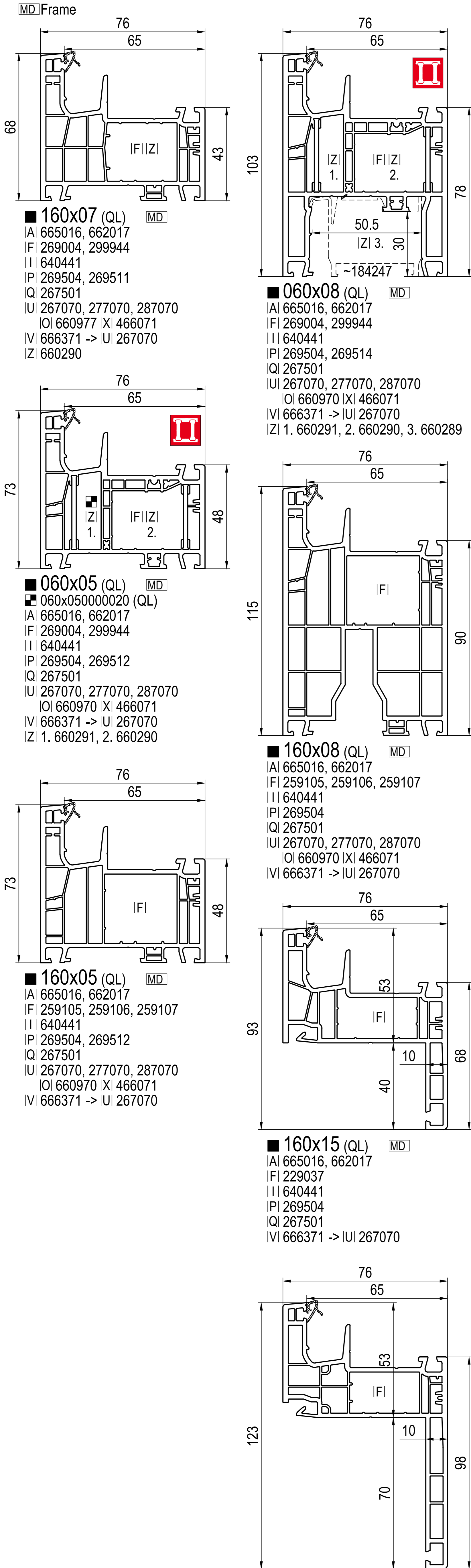


Main Profiles



■ 160x07 (QL) MD  
IA 665016, 662017  
FI 269004, 299944  
II 640441  
PI 269504, 269511  
QI 267501  
UI 267070, 277070, 287070  
VI 666371 -> UI 466071  
ZI 660290

■ 060x05 (QL) MD  
IA 060x050000020 (QL)  
IA 665016, 662017  
FI 269004, 299944  
II 640441  
PI 269504, 269512  
QI 267501  
UI 267070, 277070, 287070  
VI 666371 -> UI 466071  
ZI 1. 660291, 2. 660290

■ 160x05 (QL) MD  
IA 665016, 662017  
FI 259105, 259106, 259107  
II 640441  
PI 269504, 269512  
QI 267501  
UI 267070, 277070, 287070  
VI 666371 -> UI 466071  
ZI 1. 660291, 2. 660290

■ 160x15 (QL) MD  
IA 665016, 662017  
FI 229037  
II 640441  
PI 269504  
QI 267501  
VI 666371 -> UI 267070

■ 160x09 (QL) MD  
IA 665016, 662017  
FI 269101, 269102  
II 640441  
PI 269504  
QI 267501  
VI 666371 -> UI 267070

■ 160x03 (QL) AD  
IA 660301  
FI 269004, 299944  
II 640441  
PI 269504, 269511  
QI 267501  
UI 267070, 277070, 287070  
VI 660977 IXI 466070  
VII 666370 -> UI 267070

■ 060x08 (QL) MD  
IA 665016, 662017  
FI 269004, 299944  
II 640441  
PI 269504, 269514  
QI 267501  
UI 267070, 277070, 287070  
VI 660977 IXI 466071  
VII 666371 -> UI 267070  
ZI 1. 660291, 2. 660290, 3. 660289

■ 160x01 (QL) AD  
IA 660301  
FI 259105, 259106, 259107, 269066  
II 640441  
PI 269504, 269512  
QI 267501  
UI 267070, 277070, 287070  
VI 640047 IXI 466070  
VII 666370 -> UI 267070

■ 160x02 (QL) AD  
IA 660301  
FI 229114, 229115, 269003  
II 640441  
PI 269504, 269513  
QI 267501  
UI 267070, 277070, 287070  
VI 660977 IXI 466070  
VII 666370 -> UI 267070

■ 160x00 (QL) AD  
IA 660301  
FI 249019  
PI 269504

■ 060x24 (QL) -> 160x74  
IA 685251, 680250, 655251, 650252, 620250, 650250  
FI 269036, 269037, 269038  
II 620440  
JI 642261, 642262, 642263, 646265, 646266  
PI 269524

■ 160x24 (QL) -> 160x74  
IA 685251, 680250, 655251, 650252, 620250, 650250  
FI 269036, 269037, 269038  
II 620440  
JI 642261, 642262, 642263, 646265, 646266  
PI 269524

■ 160x02 (QL) AD  
IA 660301  
FI 229114, 229115, 269003  
II 640441  
PI 269504, 269513  
QI 267501  
UI 267070, 277070, 287070  
VI 660977 IXI 466070  
VII 666370 -> UI 267070

■ 060x20 (QL) -> 160x70  
IA 685251, 680250, 655251, 650252, 620250, 650250  
FI 269020, 269021, 269022, 269024  
II 620440  
JI 642261, 642262, 642263, 646265, 646266  
PI 269520  
ZI 660292

■ 160x20 (QL) -> 160x70  
IA 685251, 680250, 655251, 650252, 620250, 650250  
FI 269020, 269021, 269022, 269024  
II 620440  
JI 642261, 642262, 642263, 646265, 646266  
PI 269520

■ 060x27 (QL) -> 060x77 -> MD  
IA -  
FI 269020, 269021, 269022, 269024  
II 620440  
JI 642261, 642262, 642263, 646265, 646266 = Bonding of pane  
PI 269527  
ZI 660292

■ 160x30 (QL)  
IA 685251, 680250, 655251, 650252, 620250, 650250  
FI 269030  
II 620440  
JI 642261, 642262, 642263, 646265, 646266  
PI 269524

■ 160x33 (QL)  
IA 685251, 680250, 655251, 650252, 620250, 650250  
FI 269033, 269034  
II 620440  
JI 642261, 642262, 642263, 646265, 646266  
PI 269533

■ 160x31 (QL)  
IA 685251, 680250, 655251, 650252, 620250, 650250  
FI 269030  
II 620440  
JI 642261, 642262, 642263, 646265, 646266

■ 160x35 (QL)  
IA 685251, 680250, 655251, 650252, 620250, 650250  
FI 269033, 269034  
II 620440  
JI 642261, 642262, 642263, 646265, 646266

■ 170x39 (CL) -> AD  
IA 620301  
FI 229135, 229137  
II -

■ 160x46 (QL) MD  
IA 665016, 662017  
FI 667046, 667146  
II 660950  
IXI 669034 bl  
IXI 669034 wh  
ID 640046 ~ universal  
FI 269043, 269046, 269047  
II 640441  
PI 269543  
UI 267070, 277070, 287070  
VI 660971 IXI 466075

■ 160x45 (QL) MD  
IA 665016, 662017  
FI 667045, 667145  
II 660950  
IXI 669032 bl  
IXI 669032 wh  
ID 640046 ~ universal  
FI 269041, 269045  
II 640441  
PI 269541  
UI 267070, 277070, 287070  
VI 660971 IXI 466074

■ 160x48 (QL) -> 67  
IA 685251, 680250, 655251, 650252, 620250, 650250  
FI 667048  
II 249046  
JI 642261, 642262, 642263, 646265, 646266  
PI 269548

■ 160x66 (QL)  
CI 660366 + 660466  
FI 259105, 259106, 259107, 269066  
PI 269566  
CI 660566 + 660466

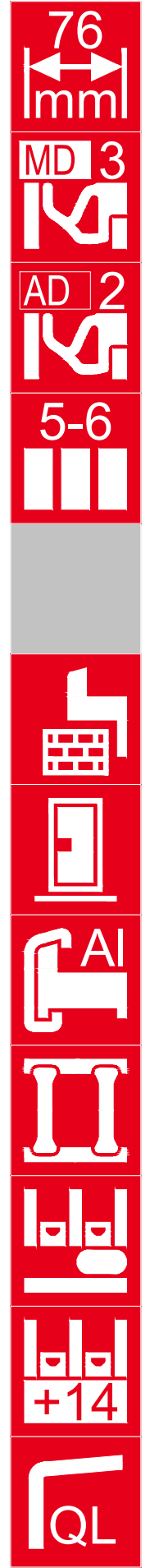
■ 160x64 (QL)  
CI 660364 + 660464  
FI 229063  
PI 269564  
CI 660564 + 660464

■ 160x97 (QL)  
-> 060x77, 160x70, 160x74  
CI 660097  
PI 269597  
CI 660597

■ 060x77 (QL) -> 060x27 -> MD  
IA -  
CI 660077  
FI 269020, 269021, 269022, 269077  
JI 642261, 642262, 642263, 646265, 646266 = Bonding of pane  
PI 269527

■ 160x44 (QL) AD  
IA 660301  
FI 667041, 667141  
II 660950  
FI 677095 ~ 67 ~ Transoms  
IXI 457922, 459922  
ID 640046 ~ universal  
FI 269041, 269045  
II 640441  
PI 269541  
UI 267070, 277070, 287070  
VI 660971 IXI 466073

■ 160x41 (QL) AD  
IA 660301  
FI 667041, 667141  
II 660950  
FI 677095 ~ 67 ~ Transoms  
IXI 457922, 459922  
ID 640046 ~ universal  
FI 269041, 269045  
II 640441  
PI 269541  
UI 267070, 277070, 287070  
VI 660971 IXI 466073



Repair gaskets

Standard IXI 479025 bl IXI 477025 pw	TPE IXI 479015 bl IXI 477015 pw	~ Transoms IXI 459922 bl IXI 457922 pw	~ MD: uPVC-P IXI 469019 bl IXI 467019 pw	Standard IXI 449340 bl IXI 447340 pw	TPE IXI 449042 bl IXI 447042 pw	Option IXI 449343 bl IXI 447343 pw	Basic Air max IL 689350 bl IL 687350 pw	REGEL-air® IL 630315 Set
--	---------------------------------------	--	--	--	---------------------------------------	--	---	--------------------------------

(CL) Classic-line  
(QL) Qube-line

bl black  
pw papyrus-white  
wh white