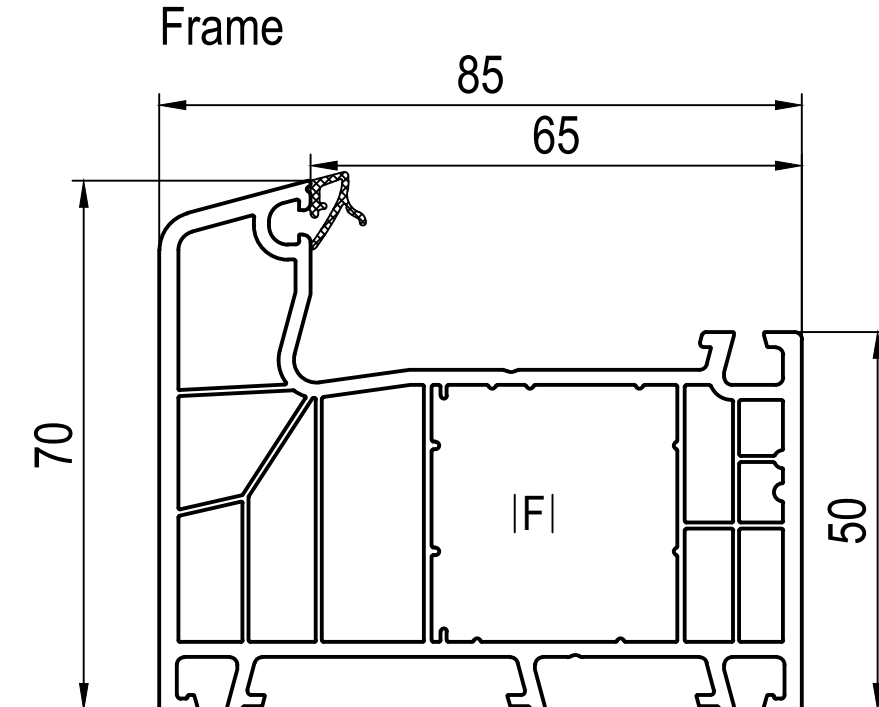
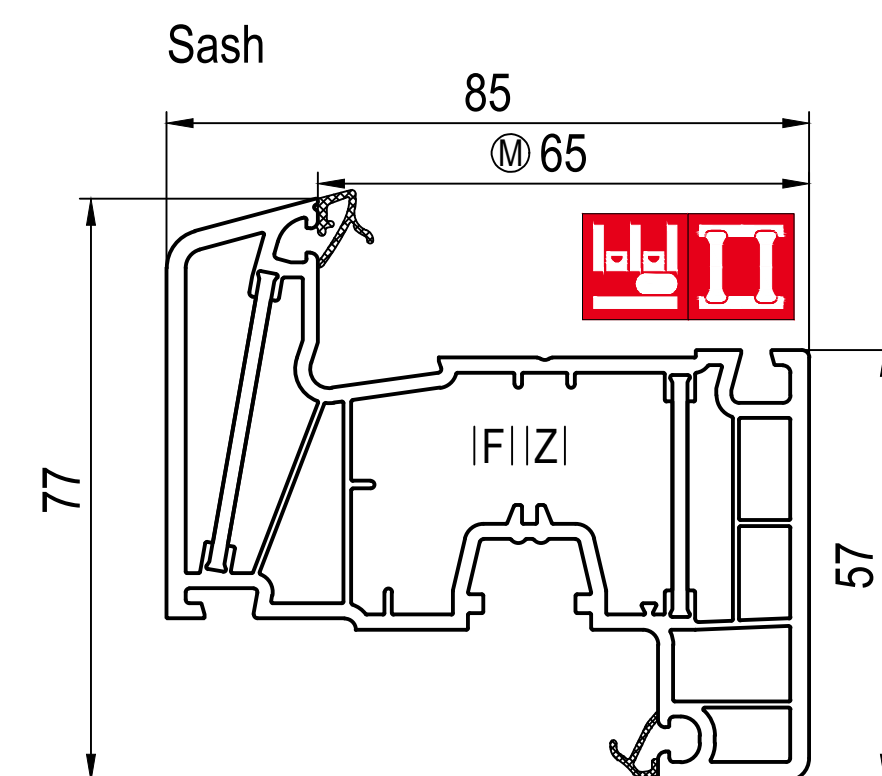


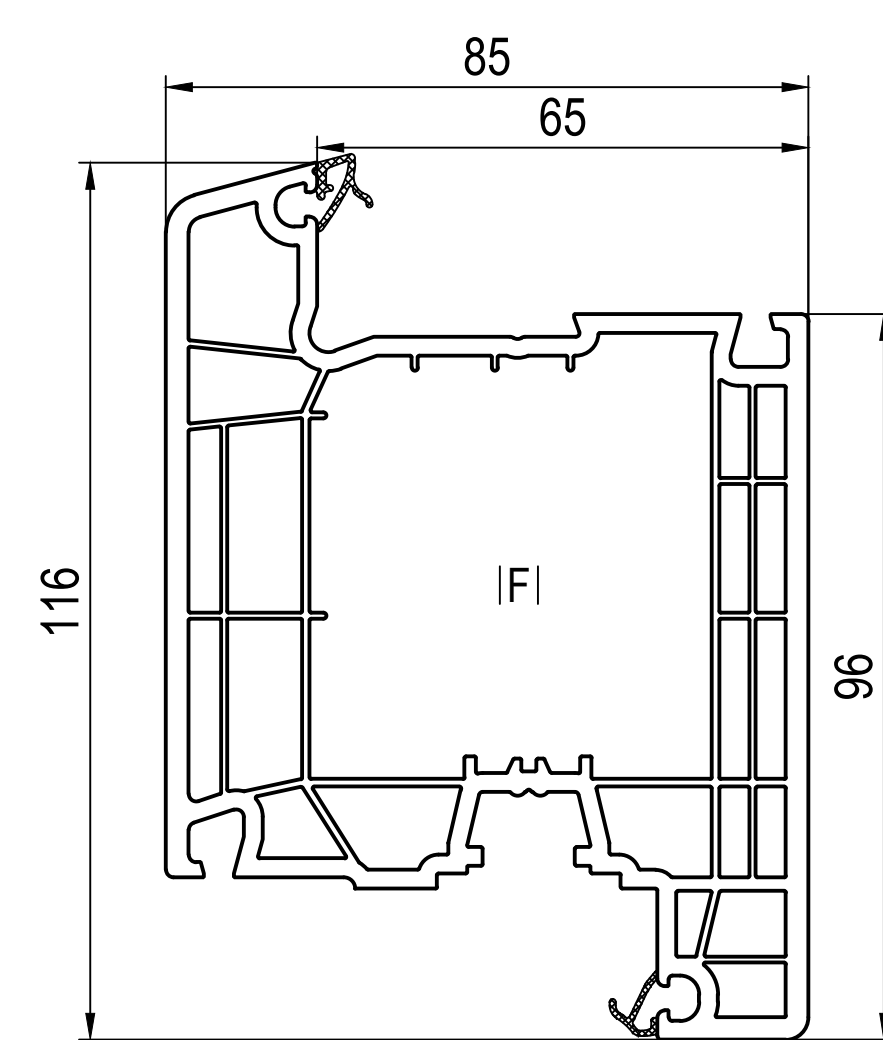
Main Profiles



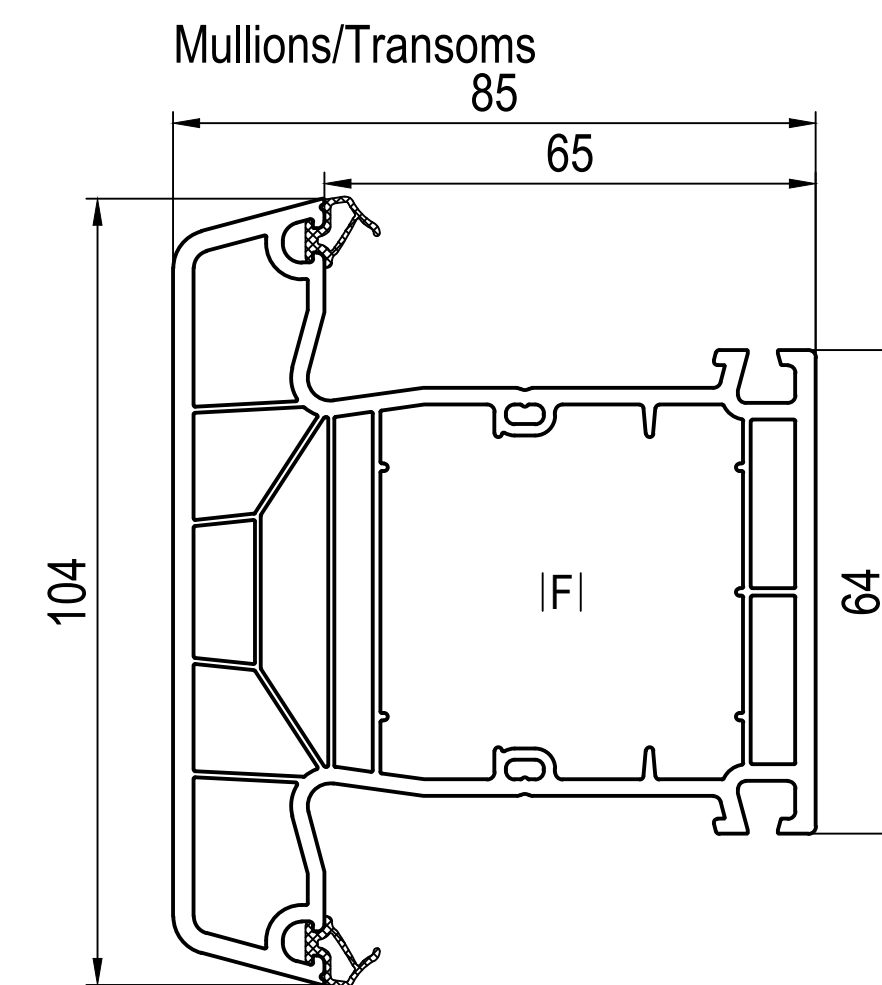
■ 170x020000098 (CL)
IA| 670301
FI| 249014, 249015, 249016, 259105, 259106, 259107
II| 640441
PI| 279402, 289304
QI| 287301, 287303
VI| 676370 -> UI| 277070



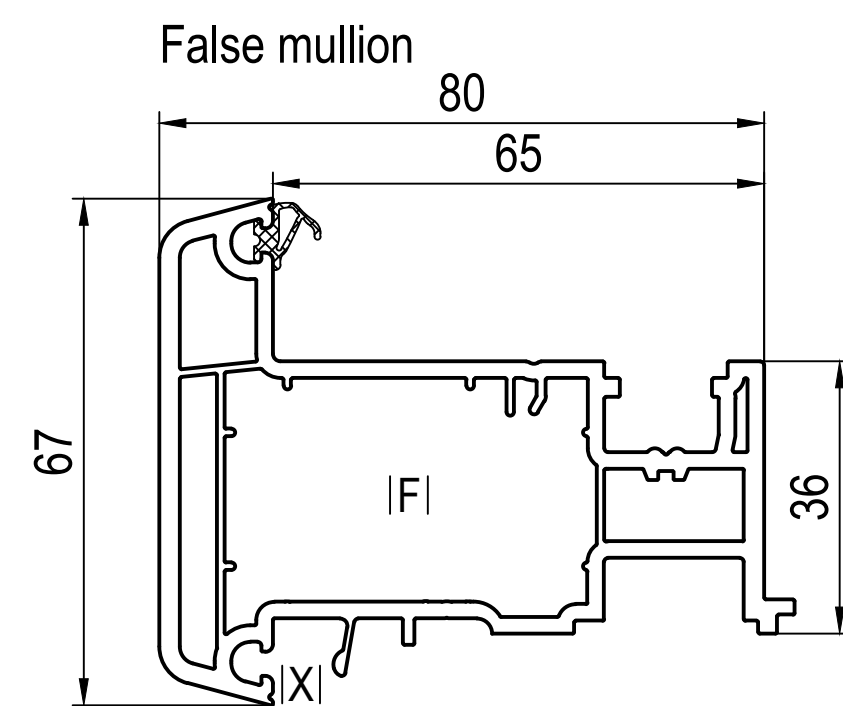
■ 070x20 (CL)
IA| 685251, 680250, 655251, 650252, 620250, 650250
FI| 249016, 259020, 259021, 259022, 259026, 289021
II| 620440
JI| 642261, 642262, 642263, 646265, 646266
PI| 279420
ZI| 650295



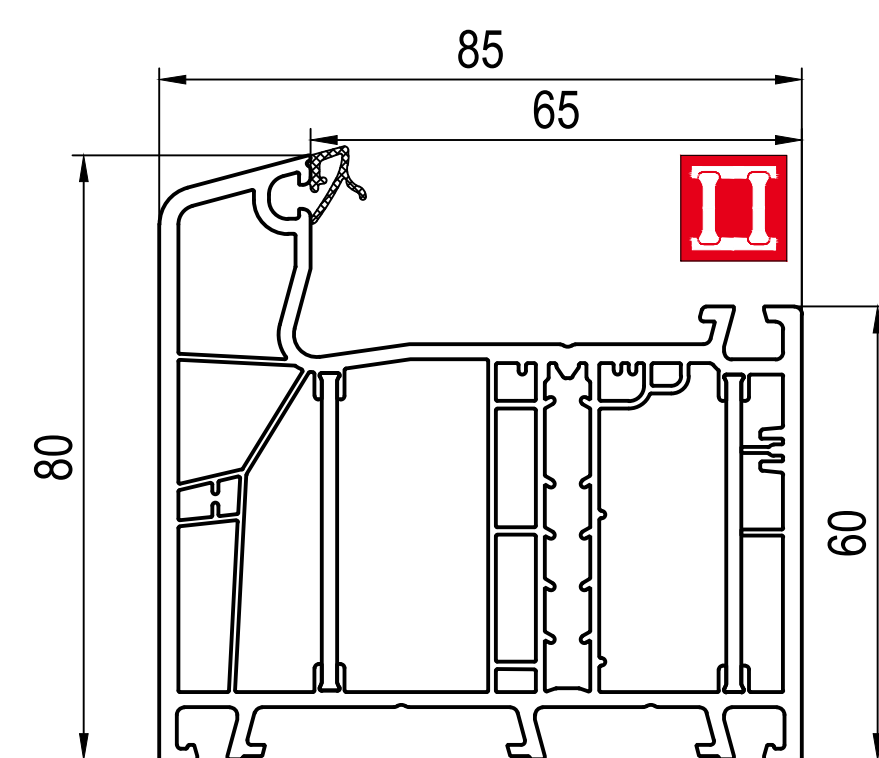
■ 170x33 (CL)
IA| 620301, 625305
FI| 229135, 229137
EI| 640038 | 640938
II| -
PI| 279433



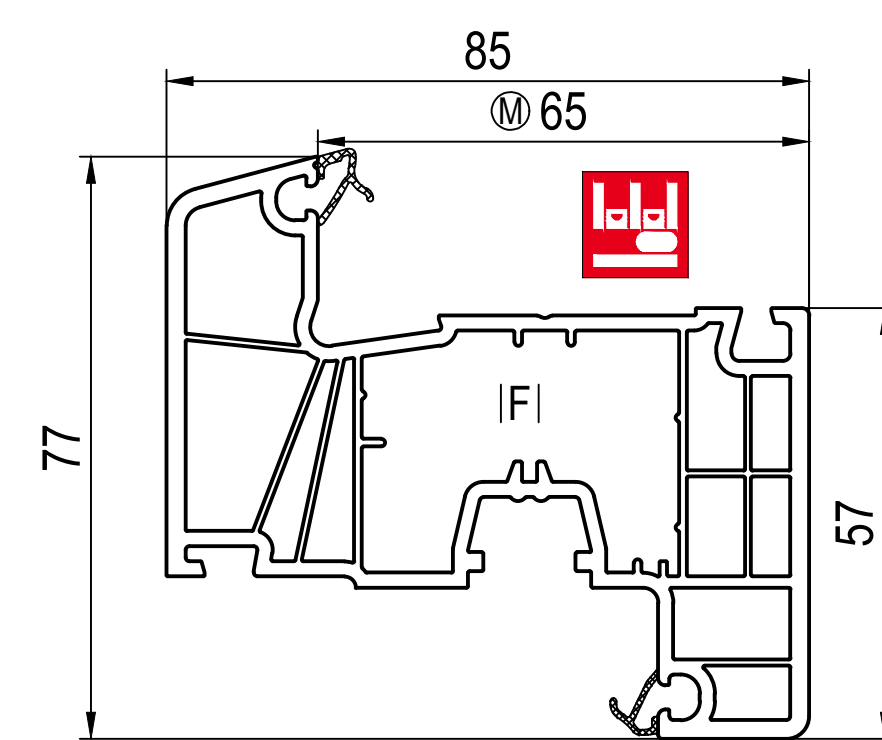
■ 170x44 (CL)
IA| 670301
DI| 677244 ~ 65
DI| 677145 | DI| 677146 ~170x4x ...
DI| 677144 ~170x3x ...
OI| 670950
DI| 640046 ~ universal
FI| 249034, 249035, 249039
II| 640441
PI| 289343
UI| 277070, 287070
OI| 680971 | XI| 476072



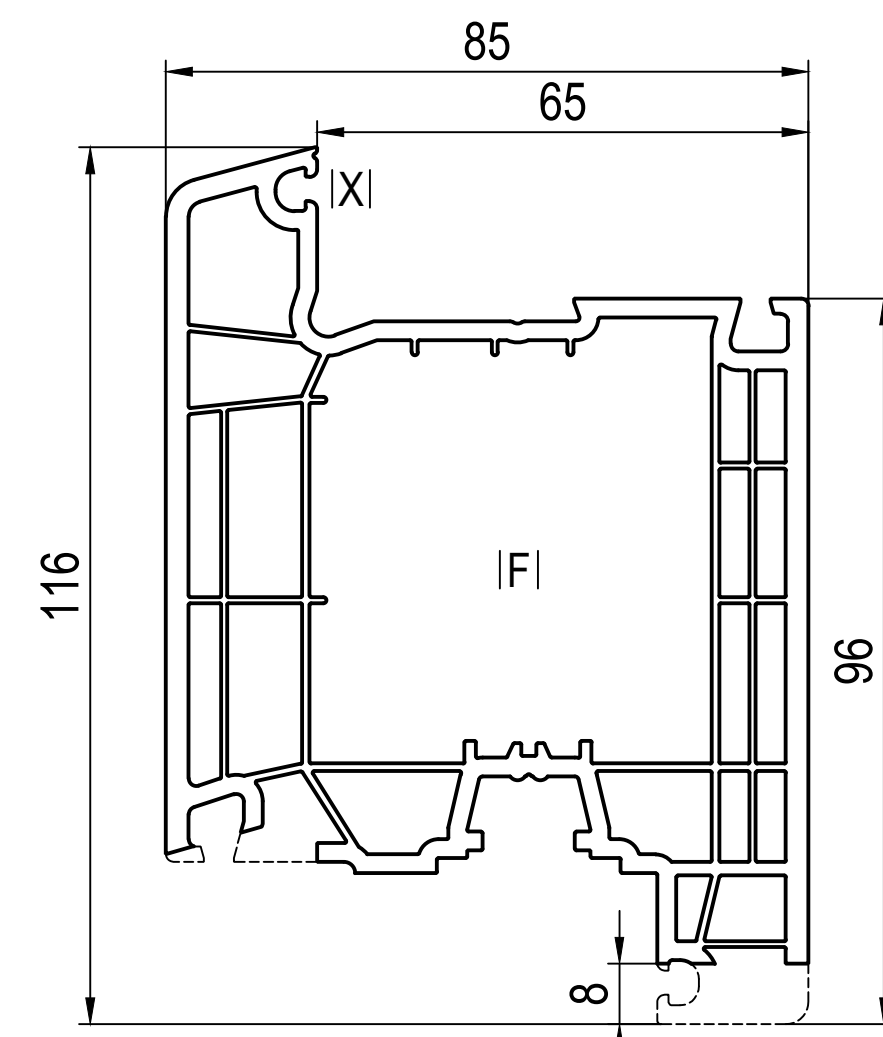
■ 170x64 (CL)
CI| 670064
FI| 229029, 229030, 289066
PI| 279364
XI| 447340, 449340, 447042, 449042



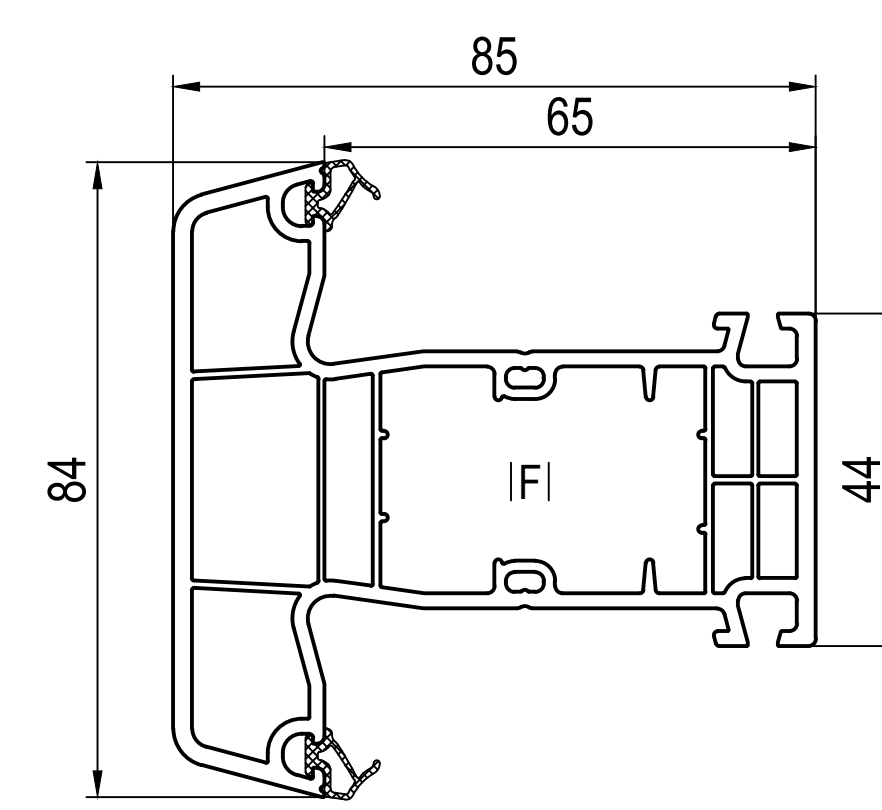
■ 070x030000095 (CL)
IA| 670301
II| 640441
PI| 289304, 289313
QI| 287301, 287303
UI| 277070, 287070
OI| 680970 | XI| 476070
VI| 676370 -> UI| 277070



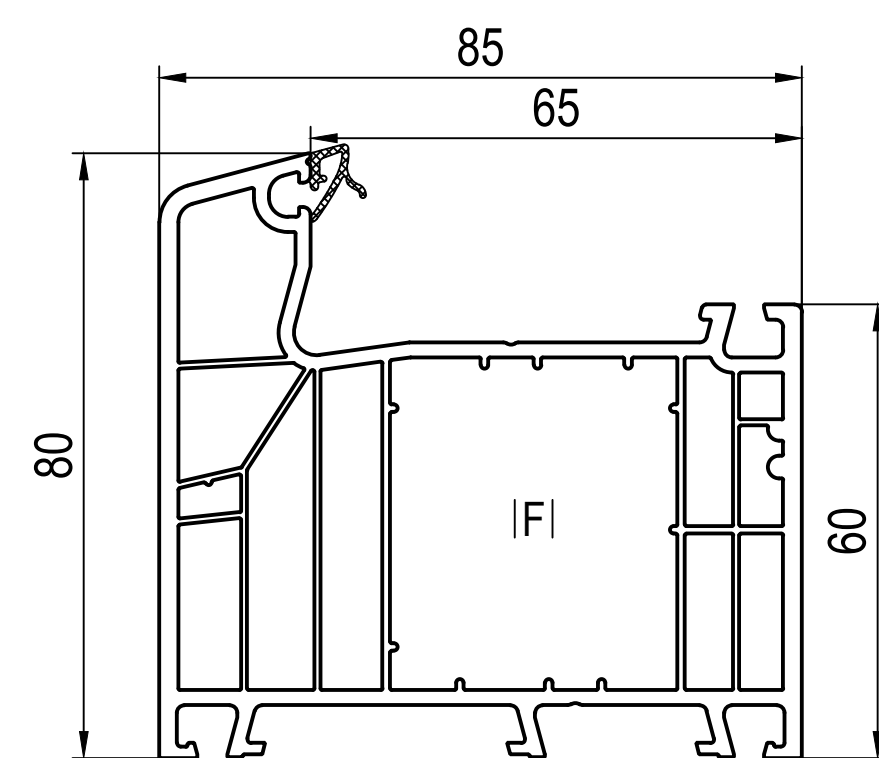
■ 170x20 (CL)
IA| 685251, 680250, 655251, 650252, 620250, 650250
FI| 249016, 259020, 259021, 259022, 259026, 289021
II| 620440
JI| 642261, 642262, 642263, 646265, 646266
PI| 279420



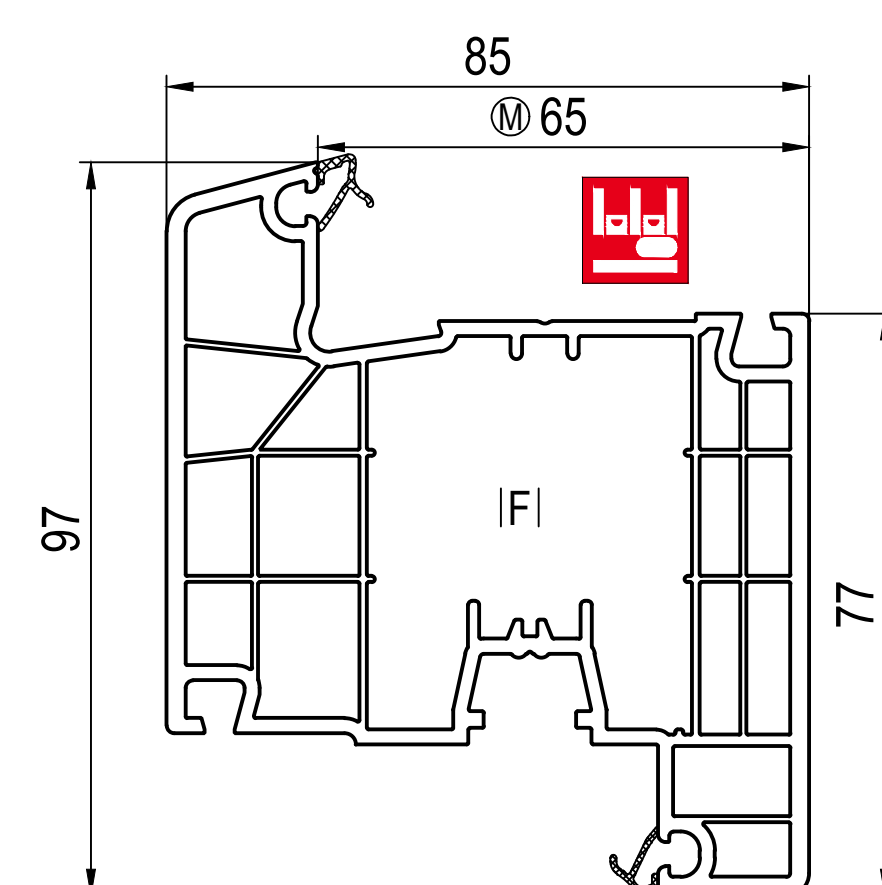
■ 170x36 (CL)
= 170x33 cut
IA| 620301, 625305
FI| 229135, 229137
EI| 640038 | 640938
II| -
XI| 477025, 479025, 477015, 479015



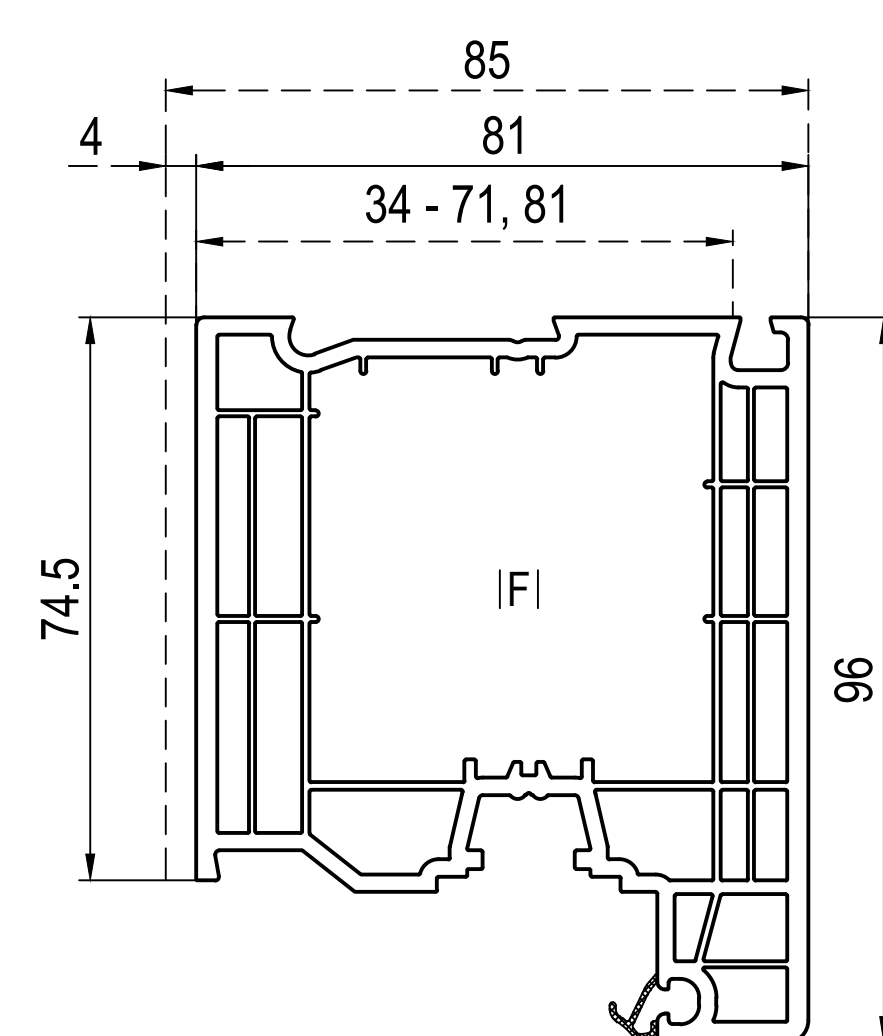
■ 170x41 (CL)
IA| 670301
DI| 677241 ~ 65
DI| 677101, 679141 ~170x4x ...
DI| 677142 ~170x3x ...
OI| 670950
DI| 650047 ~ universal
FI| 259043, 259044
II| 640441
PI| 289341
UI| 277070, 287070
OI| 680971 | XI| 476073



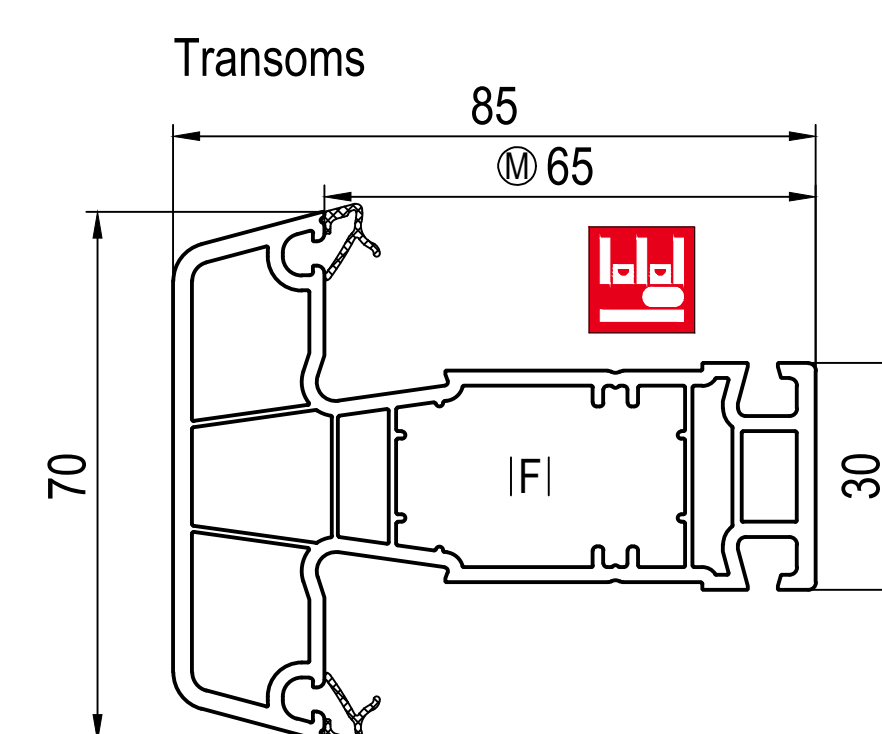
■ 170x03 (CL)
IA| 670301
FI| 229017, 229114, 229115, 229120
II| 640441
PI| 289304, 289313
QI| 287301, 287303
UI| 277070, 287070
DI| 670047 | OI| 680970 | XI| 476070
VI| 676370 -> UI| 277070



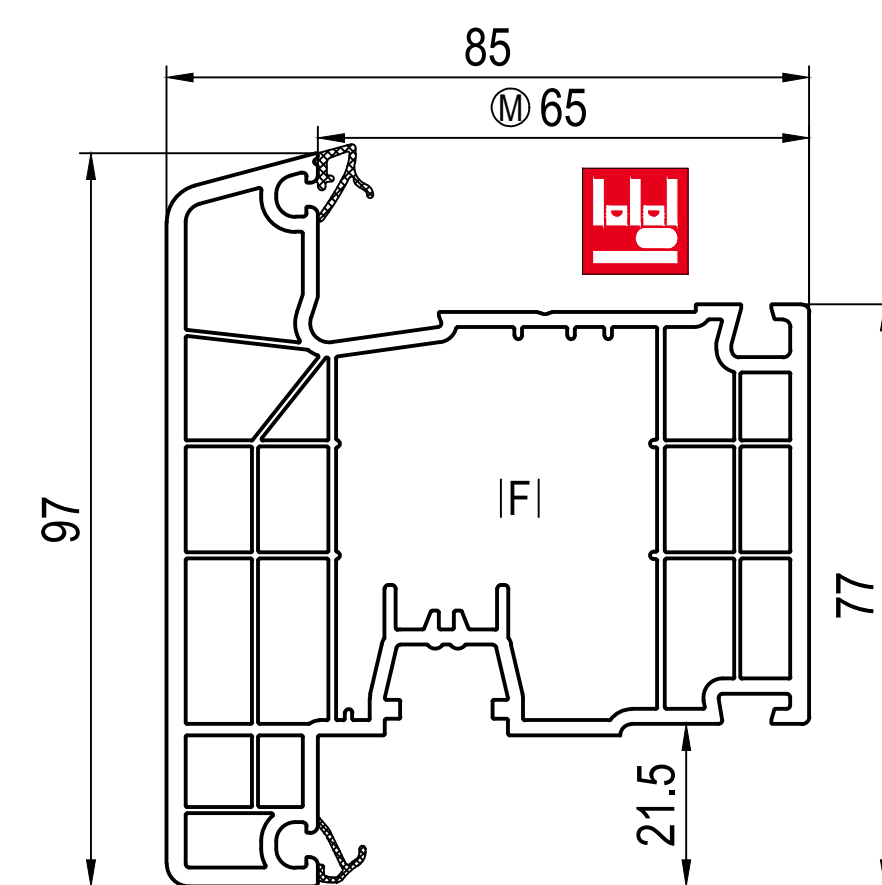
■ 170x30 (CL)
IA| 685251, 680250, 655251, 650252, 620250, 650250
FI| 249029 *, 279029
* EI| 640029 | 640938
II| 620440
JI| 642261, 642262, 642263, 646265, 646266
PI| 279430



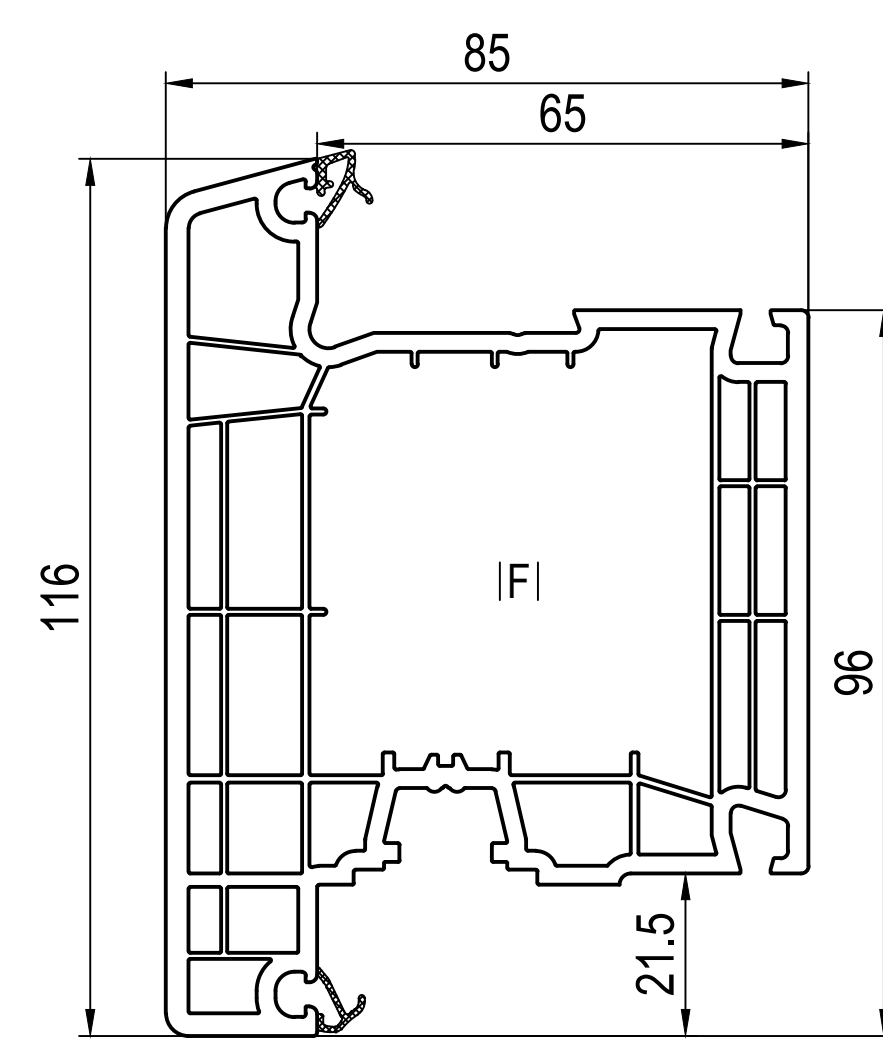
■ 170x39 (CL)
IA| 620301
FI| 229135, 229137
EI| 640038 | 640938
II| -



■ 180x46 (CL)
IA| 685251, 680250, 655251, 650252, 620250, 650250
DI| 687246 ~ 65
DI| 680046 ~ universal
FI| 229037
JI| 642261, 642262, 642263, 646265, 646266
PI| 289346



■ 170x31 (CL)
IA| 685251, 680250, 655251, 650252, 620250, 650250
FI| 249029 *, 279029
* EI| 640029 | 640938
II| 620440
JI| 642261, 642262, 642263, 646265, 646266



■ 170x35 (CL)
IA| 620301, 625305
FI| 229135, 229137
EI| 640038 | 640938
II| -

■ Backstop Gasket System

⊗ Bonding of pane Option

□ not laminated
■ laminated

AI Spacer
CI End caps
DI Connector
DI Connector without knobs
EI Corner connector
FI Reinforcements
II Lifter
JI Bonding of pane
LI Basic ventilation system
OI Auxiliary parts
PI **aluskin** Aluminium shells
QI Aluminium step protection
UI Aluminium threshold
VI Connection for threshold
XI Gaskets
ZI Special accessories

| Repair gaskets | | | Basic Air max | | | REGEL-air® | |
|--|---------------------------------------|--|---------------------------------------|--|--------------------------------|-------------------|--|
| Standard XI 479025 bl XI 477025 pw | TPE XI 479015 bl XI 477015 pw | Standard XI 449340 bl XI 447340 pw | TPE XI 449042 bl XI 447042 pw | Option XI 449343 bl XI 447343 pw | IL 689350 bl IL 687350 pw | IL 630315 Set | |

-> for
(CL) Classic-line
bl black
pw papyrus-white